



Moisture in Oil RH/T Module



Digital Humidity and Temperature Module



Ideal for monitoring water contents in oils

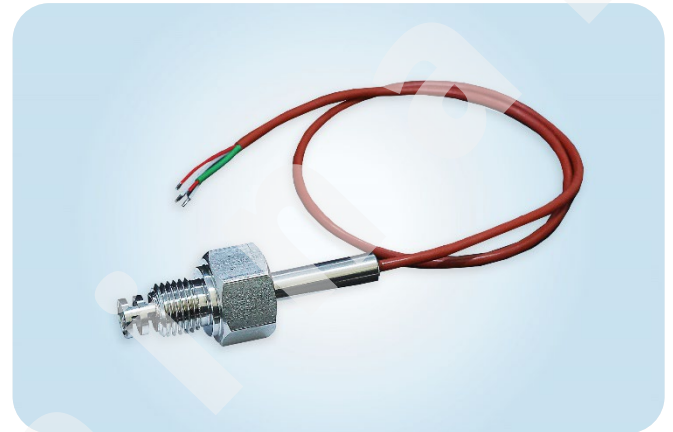


A compact and ready-to-use sensor for monitoring the water content of many different oils and fuels based on wlive time of different oils. Continuous and highly accurate measurement of relative humidity and temperature. System integration is made easy by a digital interface and screw-in housing. Stainless steel housing for robust integration in harsh environments.



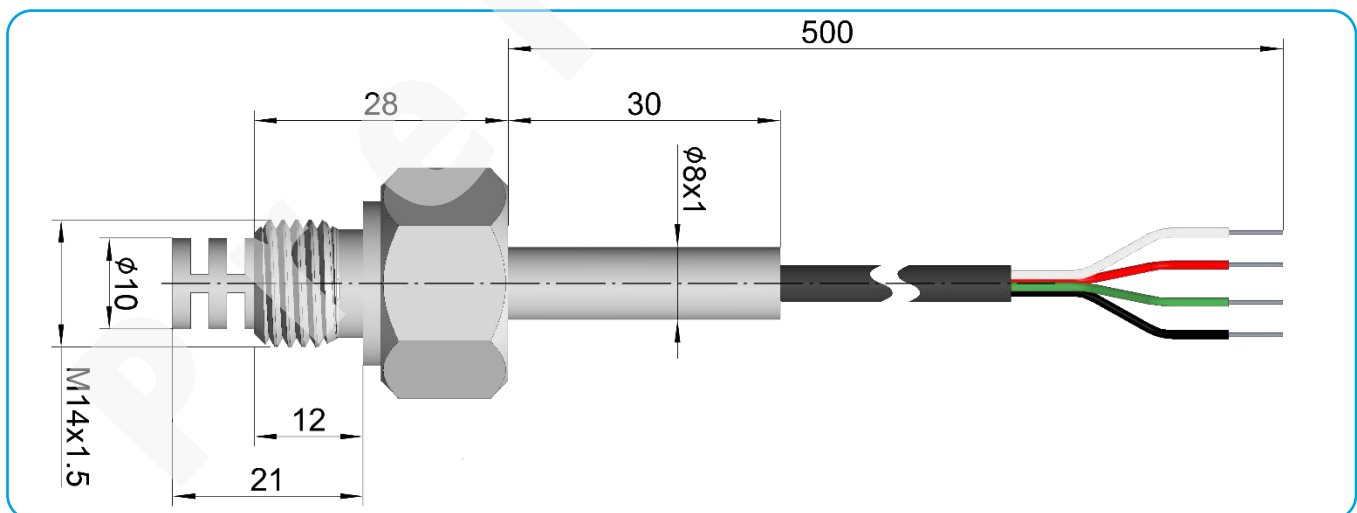
Benefits & characteristics

- Sensitive moisture analysis in different mineral and synthetic oils (incl. gear, transformer, hydraulics and lubricant applications)
- Fully calibrated and temperature compensated
- Interchangeable without adjustments
- Digital signal output I²C protocol
- Screw-in stainless steel housing (M14)
- Thermal and chemical robustness with MK33 capacitive humidity sensor



This functional prototype is intended for easy evaluation of oil sample compatibility. Please contact us for support during your tests and to discuss the design of an OEM sensor probe tailored to your application

Mechanical dimensions





Pin assignment

Insulation color	White	Green	Black	Red
Assignment	SCL	SDA	GND	VDD

Information on signal transmission via I²C and on the pull-up resistors can be found in the Application Note



Technical data



Operating temperature range: -40 to + 120°C



Operating humidity range: 0 % RH to 100 % RH



	Humidity Sensor	Temperature Sensor
Accuracy:	±3 %RH at 23°C (0 to 90 %RH):	±0.2 °C (0 to 60 °C)
Reproducibility:	±0.2 % RH	±0.1 °C
Resolution:	0.03 % RH	+0.015 °C
Response time t_{63} :	< 4 s	< 5 s
Hysteresis:	< ±1 % RH at 23 °C	
Operating voltage:	2.7 V to 5.5 V	
Current consumption (nominal)	< 22 µA at 1 Hz measuring rate; 85 µA max.	
Current consumption (sleep):	< 1 µA	
Digital interface	I ² C, default address 0x28	
Operating voltage (limits):	-0.3 V to 6 V	
Storage conditions:	-10 to +50 °C Please refer to HYT application note for packaging recommendations	
Housing material:	Stainless steel 1.4571	
Process connector:	M14x1.5 mm	
Cable:	4 x AWG 26, 500mm, open ends	



Order Information

Moisture in Oil
RH/T Module

Product name

HPM.HYT.271.M.0.SK.SA.S

Order code:

155958

Additional Documents

Application Note:

AHHYTM_E

Disclaimer

As additives may affect the long-term stability of the humidity measuring device, an evaluation of compatibility and measurement performance of the module in a particular oil under application relevant conditions is recommended.



Innovative Sensor Technology IST AG • Stegrütistrasse 14 • 9642 Ebnat-Kappel • Switzerland

+41 71 992 01 00 • info@ist-ag.com • www.ist-ag.com

All mechanical dimensions are valid at 25 °C ambient temperature, if not differently indicated • All data except the mechanical dimensions only have information purposes and are not to be understood as assured characteristics • Technical changes or product specifications without previous announcement reserved • The information on this data sheet was examined carefully and will be accepted as correct; No liability in case of mistakes • Load with extreme values during a longer period can affect the reliability • The material contained herein may not be reproduced, adapted, merged, translated, stored, or used without the prior written consent of the copyright owner • All rights reserved.